

8" Android 13 Fleet Management Terminal with RK3562 Processor

Overview

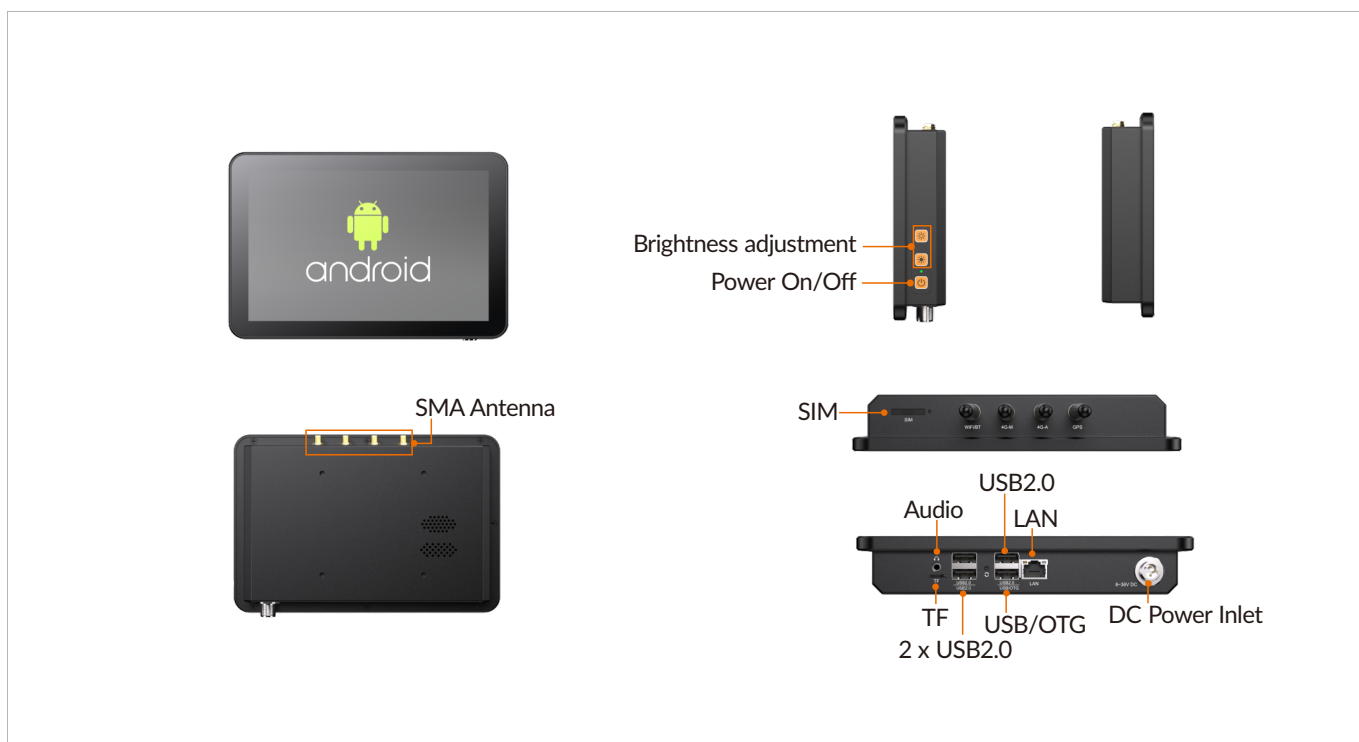
The FMT-G632 is a fleet management data terminal featuring an 8-inch touchscreen and the Rockchip RK3562 platform. It comes pre-installed with the Android 13 operating system, tailored for applications in the fleet management industry. The FMT-G632 supports integration of WiFi, LTE, Bluetooth, and GPS modules for real-time data exchange, navigation, and communications. With a 10-point capacitive touchscreen, users can enjoy intuitive and efficient operation during actual use.

Features

- 8" TFT-LCD with projective capacitive touch screen
- Rugged metal enclosure and fanless design
- Wide range 8 to 36VDC power input with ignition control
- Flexible expansion capability for Wi-Fi, Bluetooth, LTE, GPS
- Supports Android 13 operating system



I/O Interfaces

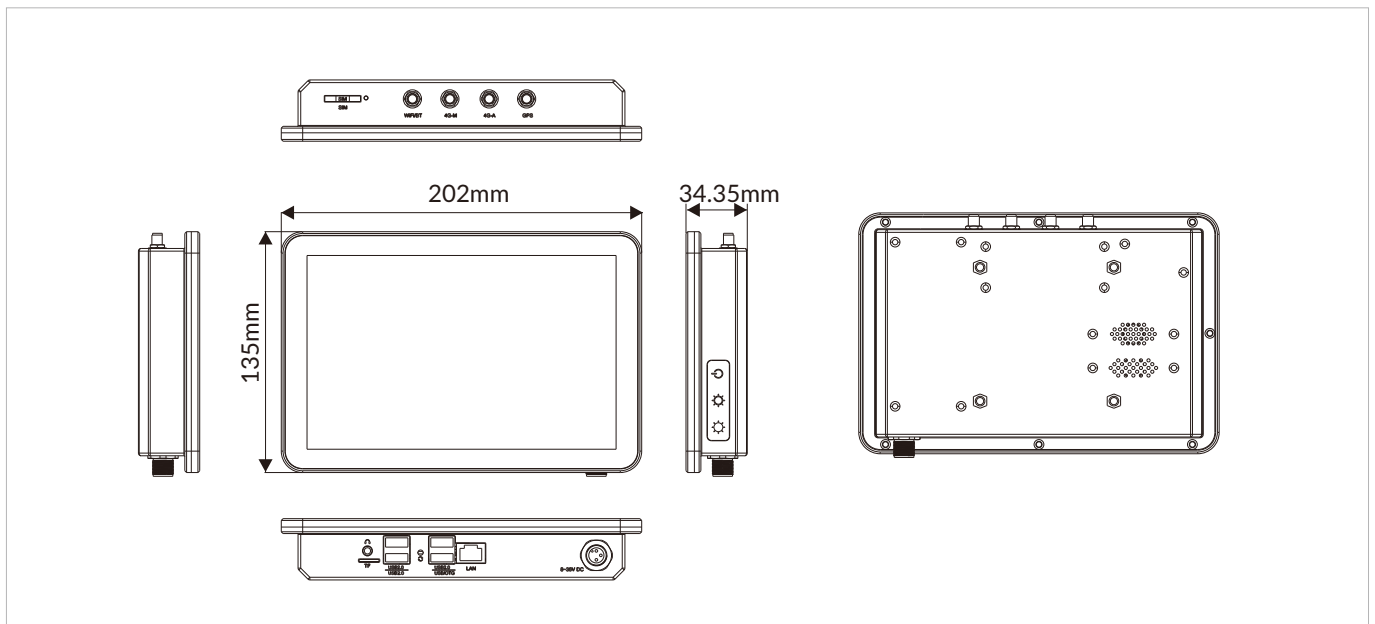


Specifications

| Display | |
|------------------------|---|
| Size | 8 inch (16:10) |
| Touch Type | Projected capacitive multi touch |
| Display Type | TFT LCD |
| Resolution | 1280 x 800 |
| Luminance | 300 nits |
| Contrast Ratio | 800: 1 |
| View Angles | 85 (left), 85 (right), 85 (up), 85 (down) |
| Color | 16.7M |
| System | |
| CPU | Rockchip RK3562, quad core (2.0 GHz) |
| Memory | 2GB LPDDR4 on board |
| Storage | 16GB eMMC 5.1 |
| Keypad & Keyboard | |
| Keypad | Power On/Off Brightness adjustment Power LED indicator |
| I/O Ports | |
| USB | 3 x USB 2.0 (Type A) 1 x USB 2.0/OTG (Type A) |
| Ethernet | 1 x 10/100M LAN (RJ45) |
| Audio | 3.5mm Audio Jack (Mic-in/Line-out) |
| SIM Card Slot | 1 x SIM Socket |
| TF Card Slot | 1 x TF Card Slot (up to 64GB) |
| Antenna | 4 x SMA connector for external antenna (Wi-Fi, Bluetooth, WWAN, GPS) |
| RF Communication | |
| Wi-Fi | Wi-Fi 5: 802.11a/b/g/n/ac, 2.4G/5G |
| Cellular | 4G, LTE |
| Bluetooth | Bluetooth 4.1 |
| GNSS | GPS, GLONASS, Galileo, BeiDou |
| Audio | |
| Speaker | 8Ω/2W, dual studio speakers |
| Power | |
| DC Input | 8 to 36VDC |
| Power Consumption | 12W (Typ.) |
| Ignition On/off | Power on delay, default 10 seconds Power off delay, default 10 seconds |
| Power Mode | ATX |
| Operating System | |
| Android | Android 13 |
| Mechanical | |
| Dimensions (W x D x H) | 202 x 135 x 34.35 mm (7.95 x 5.3 x 1.35 inches) |
| Weight (N.W.) | 1.05 kg (2.3 lbs) |
| Mounting Mode | VESA 75 |
| Material | Aluminum+SGCC |

| Environment | |
|-----------------------|---------------------------------------|
| Operating Temperature | -20 to 60°C (-4 to 140°F) |
| Storage Temperature | -30 to 70°C (-22 to 158°F) |
| Relative Humidity | 95% @ 70°C (158°F), non-condensing |
| Shock | MIL-STD-810H Method 514.8 Procedure I |
| Vibration | MIL-STD-810H Method 516.8 Procedure I |
| IP Rating | IP54 compliant |
| Certification | |
| EMC | CE, FCC |

Dimensions



Optional Accessories

| Part No. | Description |
|----------------|--|
| PWR836D512-M12 | 8 to 36VDC Input, 5V/12VDC Output, M12 connector |

Ordering Information

| Part No. | Description |
|--------------------|--|
| FMT-G632-C121C-A01 | FMT-G632 + CTP(300nits) + RK3562 + 2GB + 16GB + Android 13 + WiFi5(On-board) + Bluetooth (On-board) + 4G(EC20) + GPS(EC20) + SMA(1)-WiFi/Bluetooth + SMA(2)-4G_M + SMA(4)-GPS; |