

Modular Industrial Computer with 10th/11th Gen Intel® Core™ i3/i5/i7/i9, Pentium®, Celeron® Processor

Overview

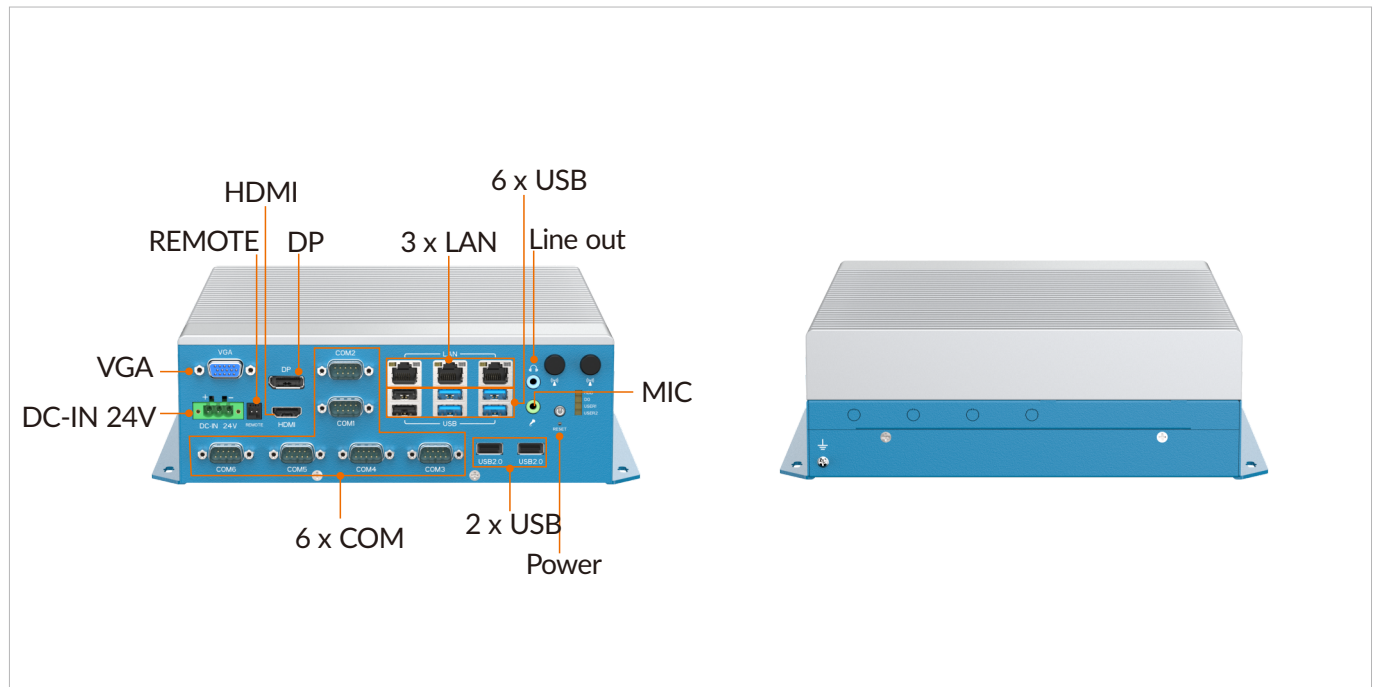
The MIC-8100 is a modular industrial computer with 10th/11th Gen Intel® Core™ i3/i5/i7/i9, Pentium®, and Celeron® processors. It offers extensive connectivity options, expansion capabilities, control interfaces, and flexible display configurations, making it a versatile and reliable choice for industrial applications.

Features

- 10th/11th Gen Intel® Core™ i3/i5/i7/i9, Pentium®, Celeron® Processor
- 6 x COM(3 x RS-232/485), 3 x LAN, 8 x USB
- 1 x DP, 1 x VGA, 1 x HDMI
- 2 x M.2 M-Key 2280, 1 x M.2 E-Key 2230, 1 x M.2 B-Key 3052
- 24V DC power input



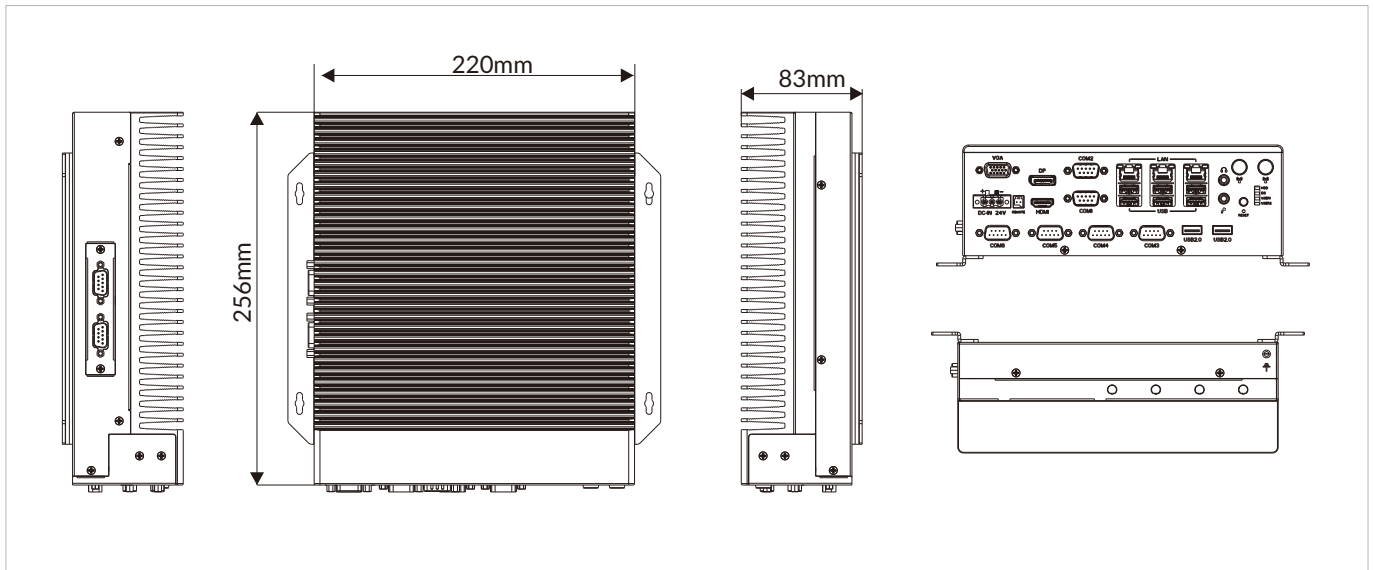
I/O Interfaces



Specifications

System	
CPU	Comet lake S i3/i5/i7/i9
CPU TDP	65W
Chipset	H420E
Memory	2x DDR4 SO-DIMM up to 64GB
Storage	2x M.2 2280 SATA
BIOS	AMI 128Mbit SPI Flash
TPM	1 x SPI (optional)
Watchdog Timer	Software programmable supports 256 levels system reset
I/O Ports	
USB Port	4 x USB 2.0, 4 x USB3.0
Serial Port	6 x COM (3 x RS-232/485)
Ethernet	1 x Intel® I219-LM, 2 x Intel® I210-AT
Display Port	1 x DP, 1 x VGA, 1 x HDMI
SIM Card Slot	1 x SIM
Antenna Hole	6 x SMA-type
Expansion Slot	
M.2	2 x M.2 M-Key 2280, 1 x M.2 E-Key 2230, 1 x M.2 B-Key 3052
RF Communication	
Wi-Fi	1 x M.2 2230 E-Key (PCIe AxMac Wi-Fi 6)
Cellular	1 x M.2 3052 B-Key (USB3.0)
Bluetooth	1 x M.2 2230 E-Key (PCIe AxMac Wi-Fi 6)
GNSS	1 x M.2 3052 B-Key (USB3.0)
Audio	
Audio	Mic in, line out
Power	
Remote Power On/Off	2-Pin remote
DC Input	24VDC
Input Type	1 x 3-pin terminal block connector
Power Mode	AT/ATX
Operating System	
Windows	Windows 10/11
Linux	Ubuntu
Mechanical	
Dimensions (WxDxH)	220 x 256 x 76mm (8.66 x 10.08 x 2.99 inches)
Weight (N.W.)	4.3kg (9.48 lb)
Mounting	Wall-mount
Material	Aluminum alloy
Environment	
Operating Temperature	-10 to 50°C(14 to 122°F, with SSD Airflow 0.7m/s)
Storage Temperature	-40 to 80°C(-40 to 176°F)
Relative Humidity	10% to 95% (non-condensing)
Certification	
EMC	CE, FCC Class A

Dimensions



Ordering Information

Part No.	Description
MIC-8100	3 x LAN, 6 x COM(3 x RS-232/485), 8 x USB, 1 x DP, 1 x VGA, 1 x HDMI