

Intel® Celeron® Fanless Box Computer with 2 x COM, 4 x USB, 2 x LAN

Overview

NBC-1122 is an advanced industrial computer equipped with extensive I/O options, offering great flexibility and effortless Mini PCIe expansion capabilities. It boasts wide-input power ranges, wide temperature tolerances, and enhanced structural durability, making it an excellent choice for industrial applications.

Features

- Intel® Celeron® J1900/J4105 processor
- 2 x COM (1 x RS-232/485), 2 x LAN, 4 x USB, VGA, HDMI
- 1 x 2.5" SATA HDD/SSD, 1 x mSATA
- 1 x Full length Mini PCIe, 1 x M.2 2230
- 12VDC power input



Operating Temp.



Power Input

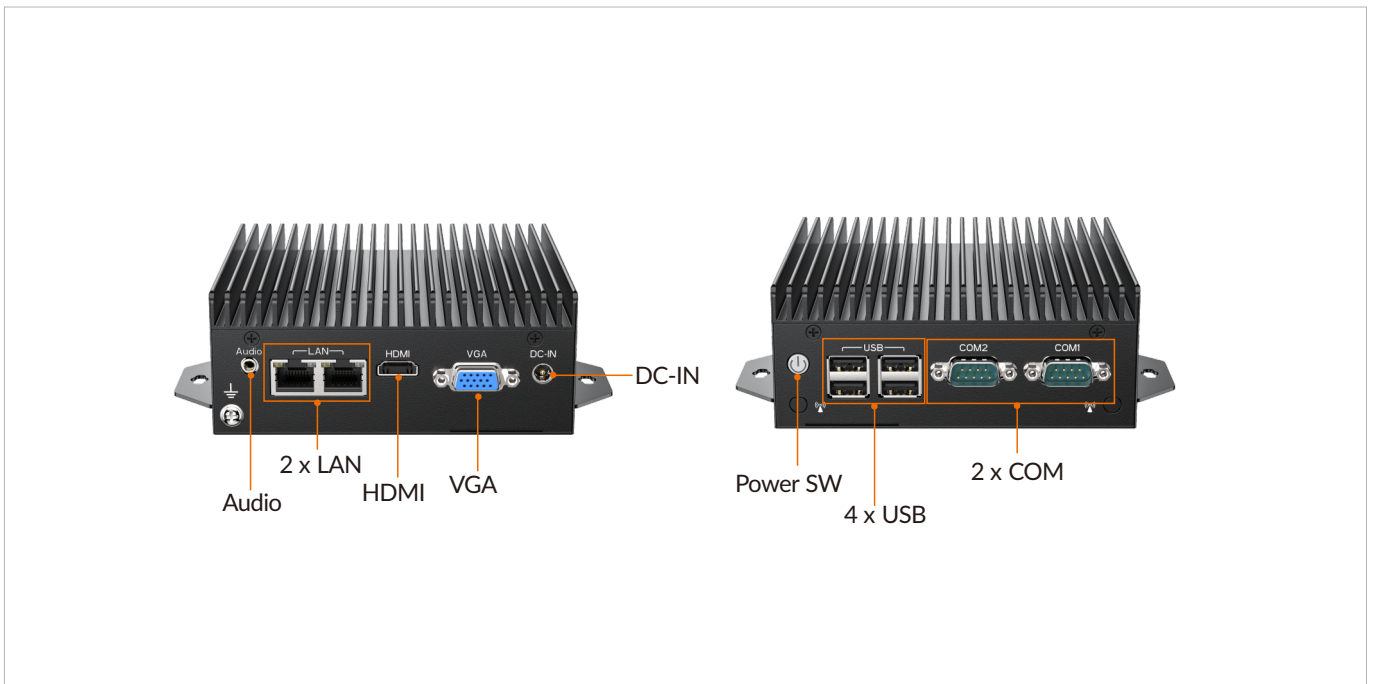


Fanless



Ultra-thin Handheld

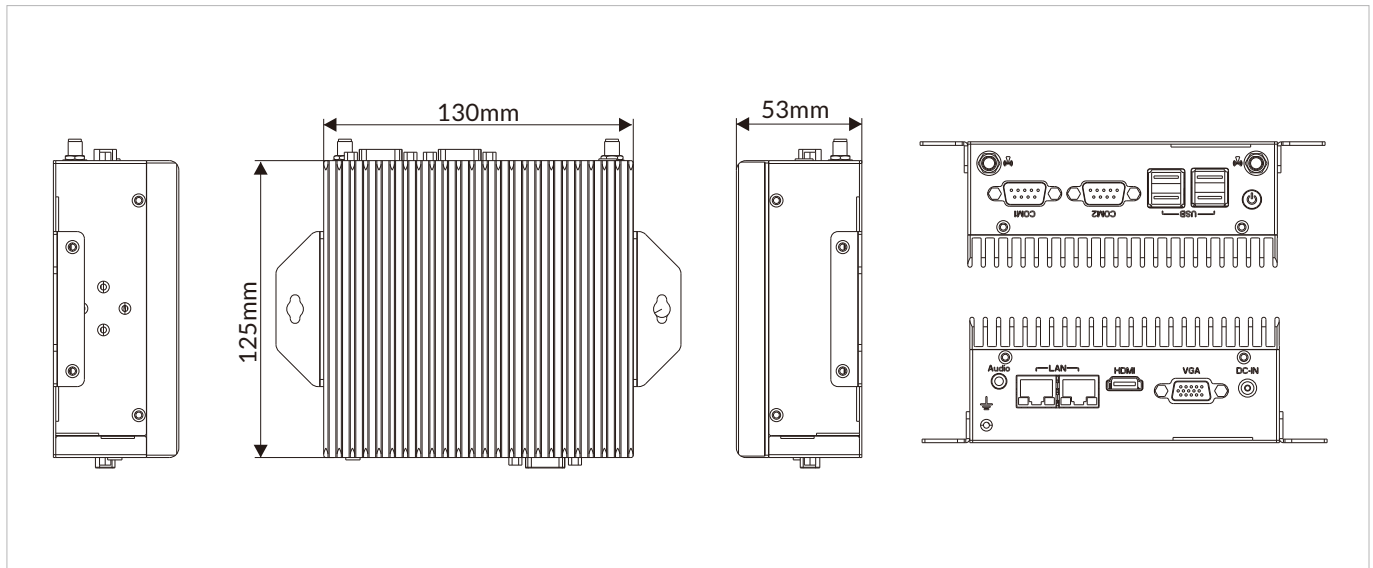
I/O Interfaces



Specifications

System	NBC-1122-J1900	NBC-1122-J4105
CPU	Intel® Celeron® J1900	Intel® Celeron® J4105
CPU TDP	10W	10W
Memory	1 x DDR3L 1333 MHz SO-DIMM up to 8GB	1 x DDR4 2400 MHz SO-DIMM up to 16GB
Storage	1 x 2.5" SATA HDD 1 x mSATA	
BIOS	AMI UEFI	
Watchdog Timer	Software programmable. Supports 256 levels system reset	
I/O Ports		
USB	3 x USB 2.0, 1x USB 3.0	2 x USB 2.0, 2 x USB 3.0
Serial	2 x COM (COM1 supports RS-232/485)	2 x COM (RS-232)
Ethernet	2 x RJ45 GbE RTL8111H	
Display	1 x VGA, 1 x HDMI	
SIM Card Slot	1 x SIM card slot (inside)	NA
Antenna	2 x SMA antenna holes	
Expansion Slot		
Mini PCIe	1 x Full length Mini PCIe	
RF Communication		
Wi-Fi	Mini PCIe expansion (optional)	
Cellular	Mini PCIe expansion (optional)	NA
Bluetooth	Mini PCIe expansion (optional)	
GNSS	Mini PCIe expansion (optional)	
Audio		
Audio	Mic in, line out	
Power		
Button	Yes	
DC Input	12VDC	
Power Mode	AT/ATX	
Operating System		
Windows	Windows 7, Windows 10	Windows 10
Linux	Ubuntu	
Mechanical		
Dimensions (W x D x H)	130x 125x 53mm (5.12 x 4.92 x 2.09 inches)	
Weight (N.W.)	0.9 kg (1.98 lbs)	
Mounting	Wall mount	
Material	Aluminum alloy	
Environment		
Operating Temperature	-10 to 60°C (14 to 140°F)	
Storage Temperature	-20 to 60°C (-4 to 140°F)	
Relative Humidity	10% to 95% @ 40°C (104°F), non-condensing	
Certification		
EMC	CE, FCC Class A	

Dimensions



Optional Accessories

Part No.	Description
A.02.001.000022	AC/DC power adaptor 60W 12V 5A

Ordering Information

Part No.	Description
NBC-1122-J1900	J1900 NBC with 2x COM (1x RS-232/485), 2x LAN, 4x USB, VGA, HDMI, 12VDC
NBC-1122-J4105	J4105 NBC with 2x COM RS-232, 2x LAN, 4x USB, VGA, HDMI, 12VDC