

10.1" Windows Vehicle Mount Computer with Intel® Celeron® J6412 Processor

Overview

VT-776W is the latest generation of ruggedized vehicle mounted computer that comes with Intel® Celeron® J6412 platform processor and Windows 11 operating system. The VT-776W harnesses full Microsoft® Windows® computing power in a mobile environment, optimizing application and network management compatibility, while remaining flexible enough to run multiple advanced applications.

VT-776W assembly 10.1-inch industrial resistive/capacitive touch screen, built-in WiFi 6E, Bluetooth 5.3, 4G LTE / 5G, GPS/GNSS/Beidou, 8~36V wide-range DC input adapt it to the warehousing forklift, logistics, container trucks and so on. Meet the MIL-STD-810H of anti-shock and vibration, IP66 dust and water proof standard make it operate freely in the most demanding environment.

Features

- 10.1" TFT-LCD with resistive touch/projective capacitive touch screen
- Front panel integrated numeric and function keys control
- Rugged aluminum enclosure and fanless design
- IP66 protection against water and dust
- MIL-STD-810H vibration testing standards compliant
- Wide range 8-36VDC power input with ignition control
- Flexible expansion capability for Wi-Fi 6E, Bluetooth 5.3, LTE, 5G, GNSS, CAN2.0B



I/O Interfaces

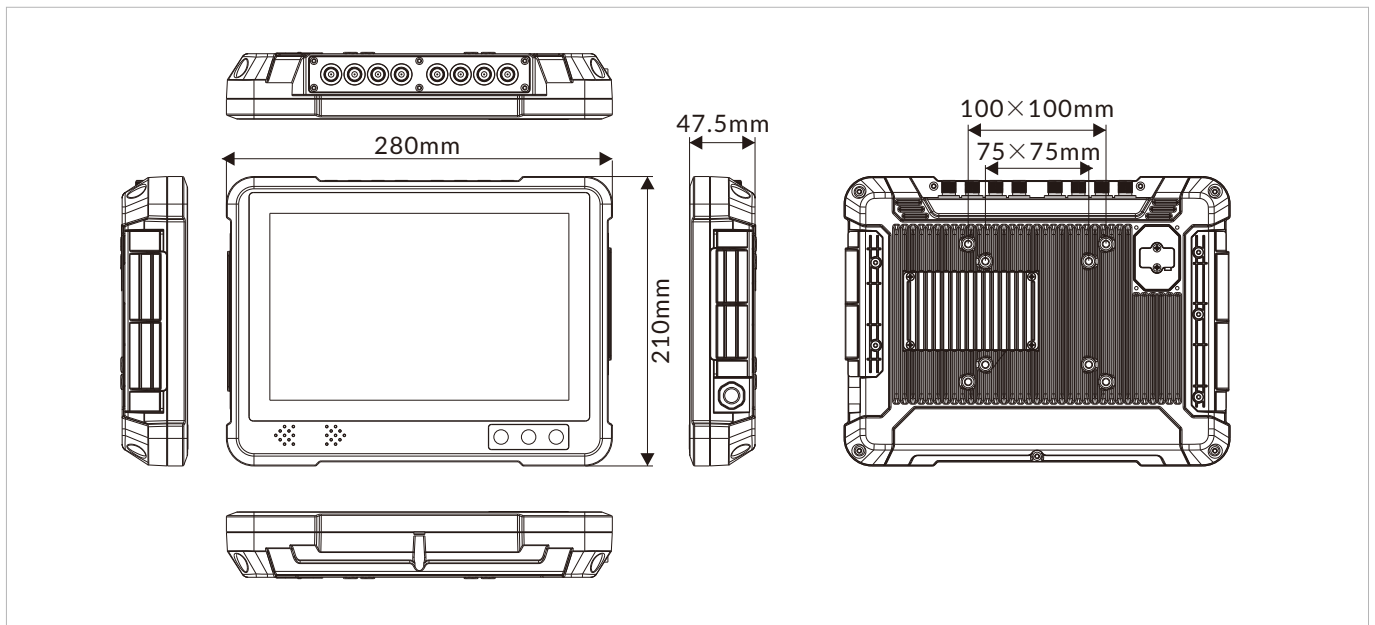


Specifications

Display	
Size	10.1 inch (16:10)
Touch Type	Projected capacitive multi touch, 5-wire resistive touch (Optional, by request)
Display Type	TFT LCD
Resolution	1920 x 1200
Luminance	350 cd/m ²
Contrast Ratio	1000: 1
View Angles	85 (left), 85 (right), 85 (up), 85 (down)
Color	16.2M
System	
CPU	Intel® Core™ i5-1135G7, quad core (2.4 GHz) Intel® Core™ i7-1165G7, quad core (2.8 GHz) (optional)
Chipset	11th Gen Intel® Tiger Lake-UP3 Platform
Memory	8GB DDR4-2666 SO-DIMM (up to 16GB)
Storage	256GB M.2 SSD (up to 1TB)
Graphics	Intel® Iris® Xe Graphics
BIOS	AMI UEFI BIOS
Keypad & Keyboard	
Keyboard	Power on/off Brightness and volume adjustment 0-9 numeric, Enter and Backspace F1-F6 user-defined function keys Power LED indicator
I/O Ports	
USB	2 x USB 3.0 (Type A)
Serial	1 x RS-232/422/485 (COM1 supports 5V/12V, DB9) 1 x RS-232 (COM2 supports 5V, DB9)
Ethernet	1 x GbE LAN (RJ45)
Display	3.5mm Audio Jack (Mic-in/Line-out)
SIM Card Slot	1 x SIM Socket
Antenna	2~8 x TNC connector for external antenna (Wi-Fi, Bluetooth, WWAN, GPS)
RF Communication	
Wi-Fi	Wi-Fi 6E: 802.11a/b/g/n/ac/ax, 2.4G/5G/6G (optional)
Cellular	4G, LTE (optional) 5G, NSA/SA (optional)
Bluetooth	Bluetooth 5.3 (optional)
GNSS	GPS, GLONASS, Galileo, BeiDou (optional, Ublox NEO M8N)
Audio	
Speaker	8Ω/2W, dual studio speakers
Power	
DC Input	8~36VDC
Power Consumption	18W (Typ.)
Ignition On/Off	Power on delay, default 10 seconds Power off delay, default 10 seconds, (On/Off delay time can be changed via BIOS setting)
Battery	7.2V 3350mAh (optional)
Power Mode	ATX (default), AT
Operating System	
Windows	Windows 11 IoT Enterprise LTSC Windows 10 IoT Enterprise LTSC Windows 10 Pro

Mechanical	
Dimensions (W x D x H)	280 x 210 x 46 mm (11.02 x 8.27 x 1.81 inches)
Weight (N.W.)	2.2 kg (4.85 lbs)
Mounting Mode	VESA 75 and 100
Material	Die-casting Aluminum with Heavy Duty Metal
Environment	
Operating Temperature	-30~60°C (-22~140°F)
Storage Temperature	-40~70°C (-40~158°F)
Relative Humidity	95% @ 70°C (158°F), non-condensing
Shock	MIL-STD-810H Method 514.8 Procedure I
Vibration	MIL-STD-810H Method 516.8 Procedure I
IP Rating	IP66 compliant
Certification	
EMC	CE, FCC

Dimensions



Optional Accessories

Part No.	Description
PWR836D512-M12	8-36VDC Input, 5V/12VDC Output, M12 connector

Ordering Information

Part No.	Description
VT-776W-C101A-A01	VT-776W + CTP(350nits) + J6412 + 4GB RAM(HIK) + 128GB M.2(HIK) + WiFi6E(AX210) + Bluetooth(AX210) + TNC(1)-WiFi_M + TNC(2)-Bluetooth;